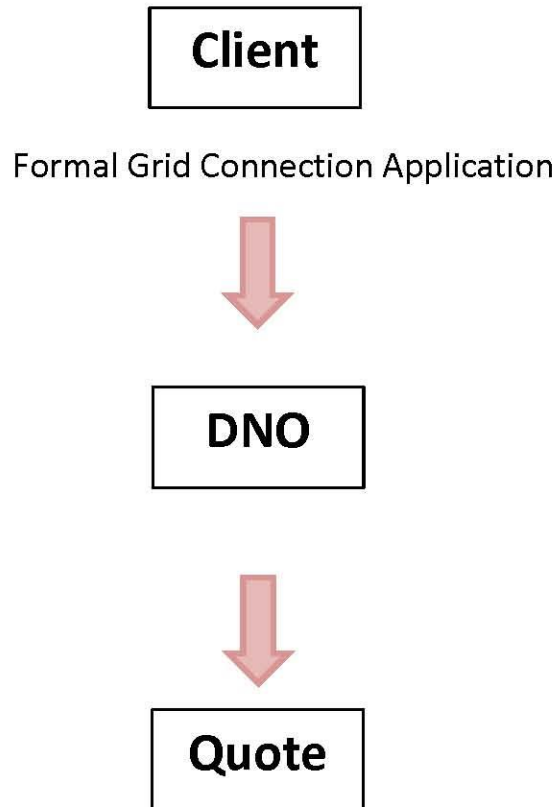
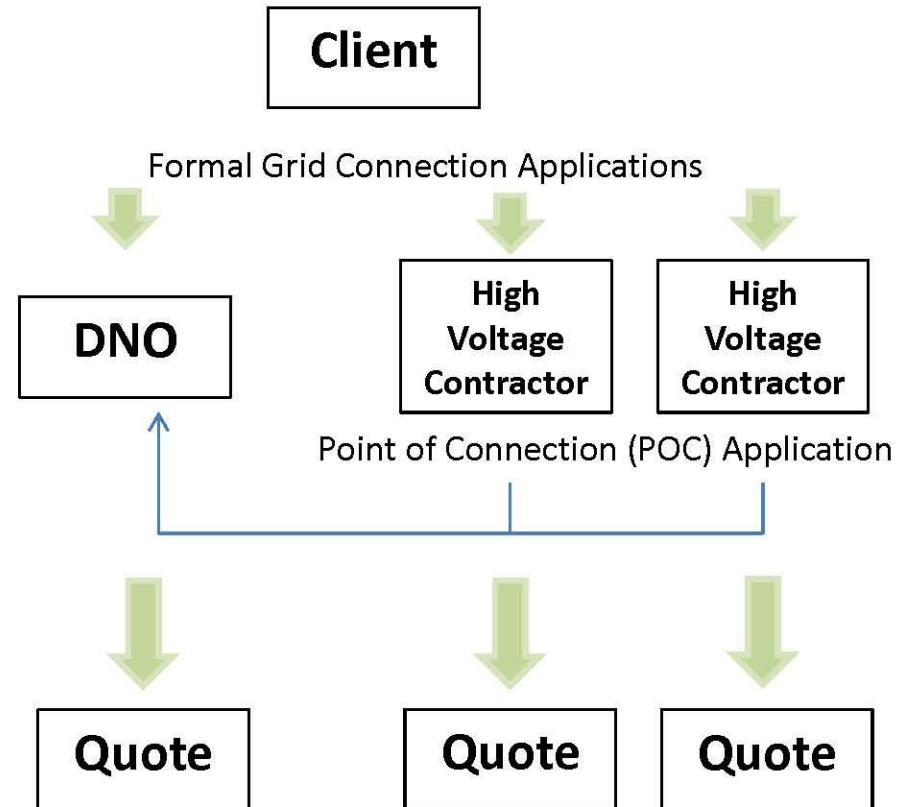


How To Obtain A Competitive Grid Connection Quotation

Usual Method



Our Method



New Grid Primary

