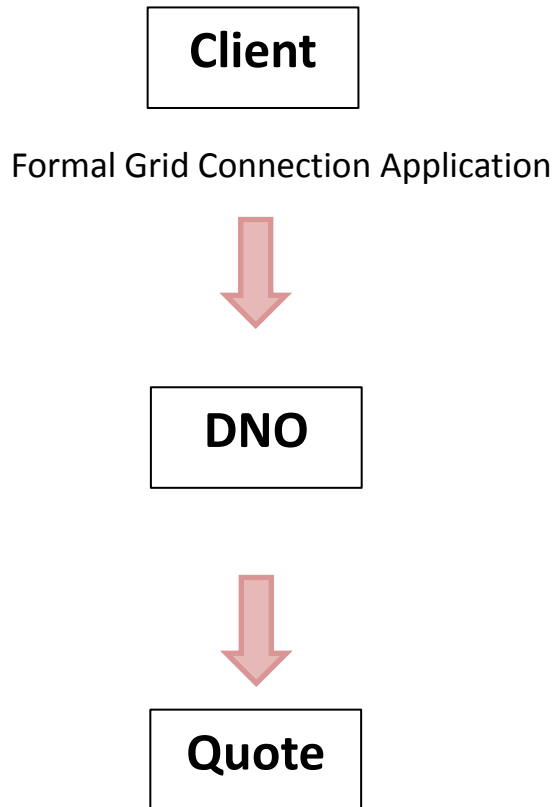
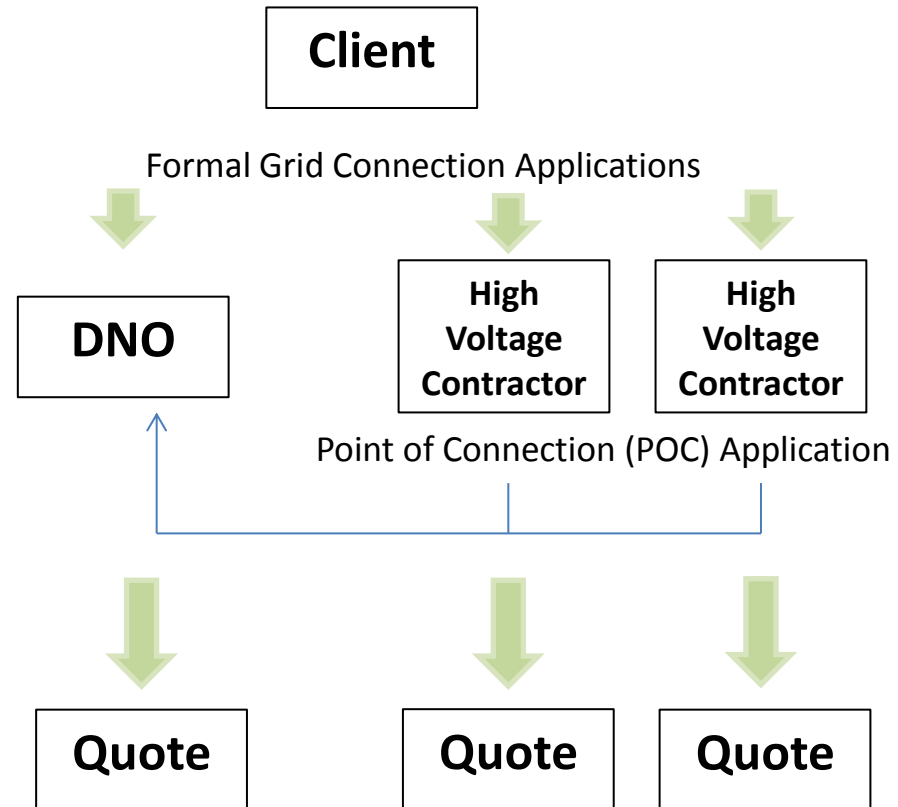


How To Obtain A Competitive Grid Connection Quotation

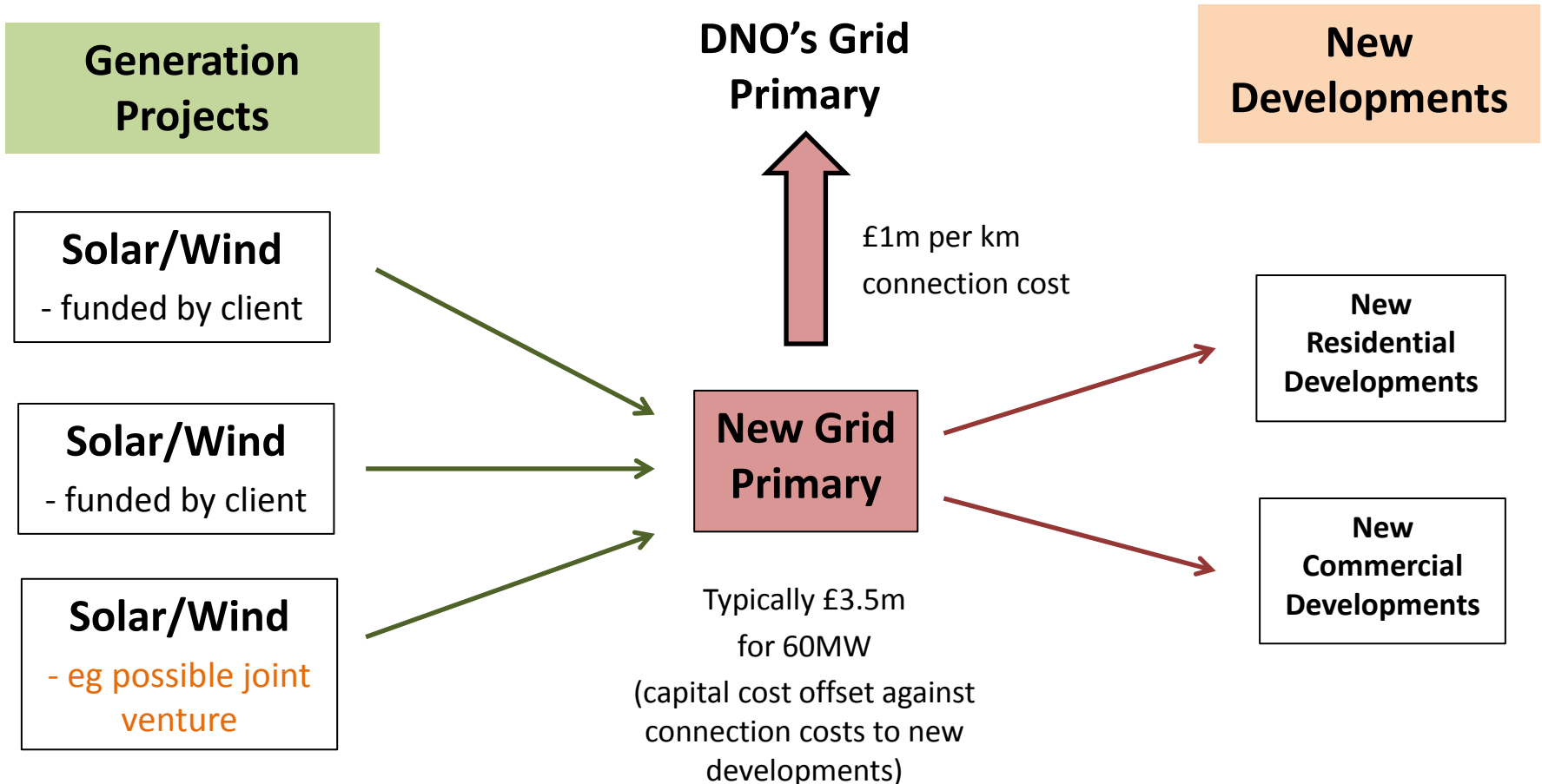
Usual Method



Our Method



New Grid Primary



New Grid Primary

